

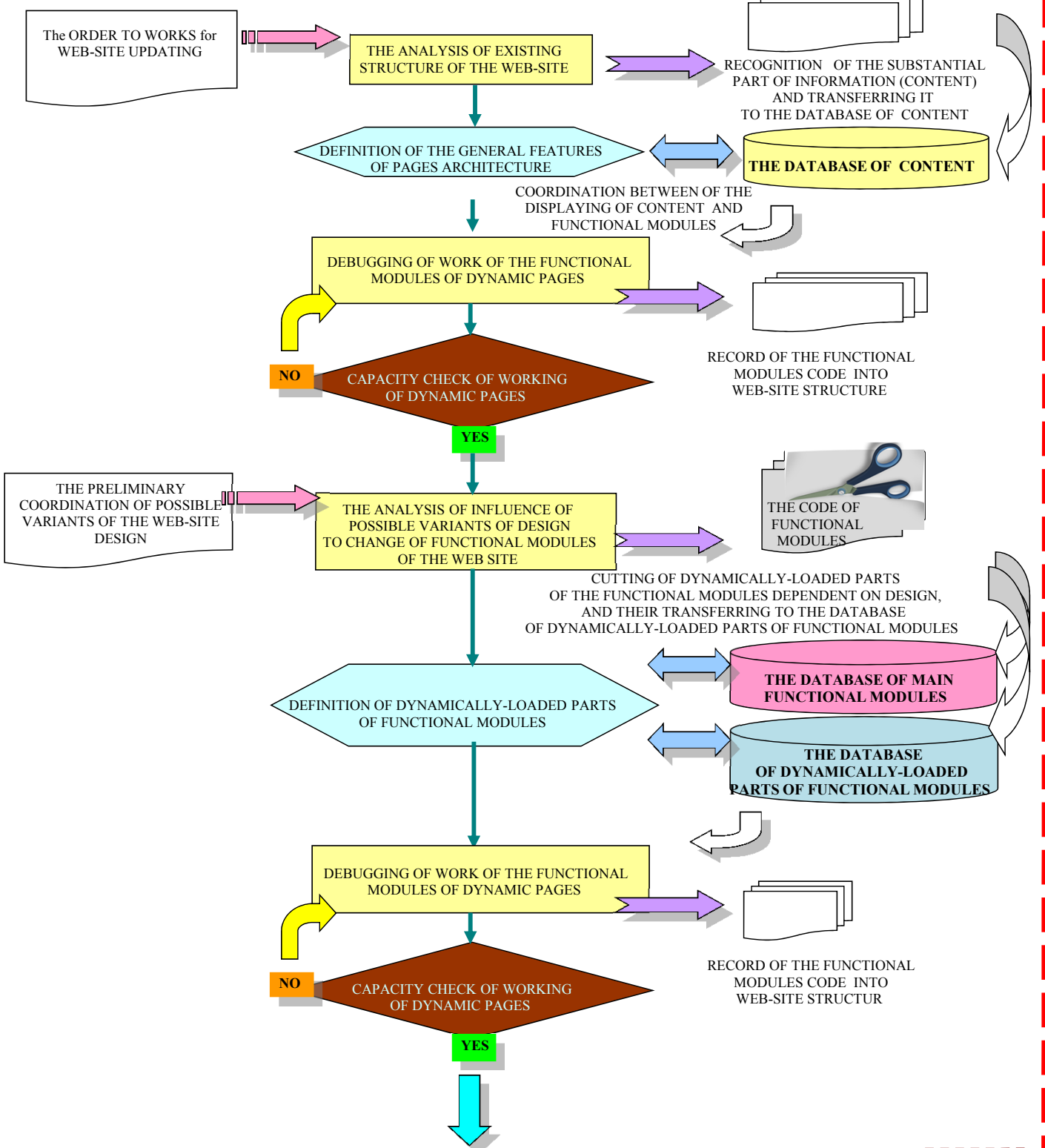


ALGORITHM OF THE WEB-SITE CONSTRUCTION ON THE BASE OF META-MORPH-MULTI-DESIGN TECHNOLOGY (MMMD)

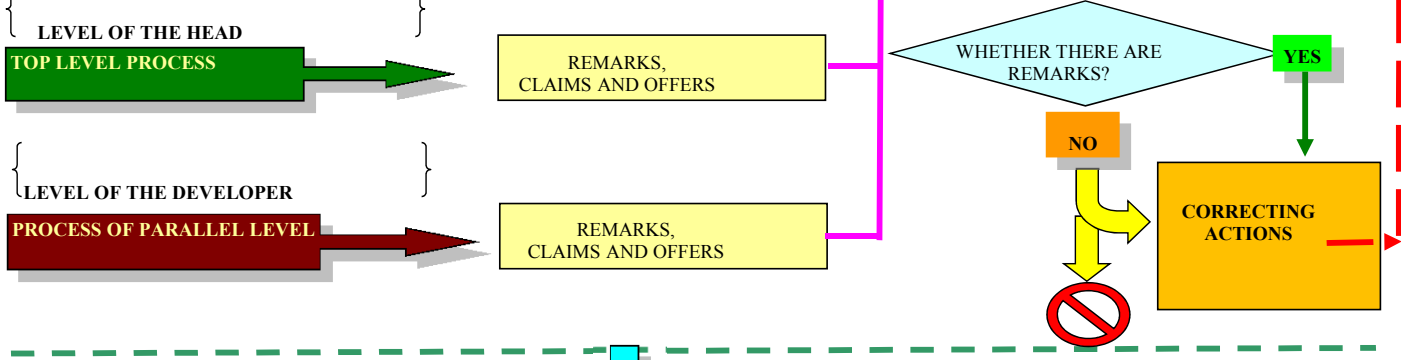


1. PROCEDURE OF THE WEB-SITE PREPARATION FOR MMMD-TECHNOLOGY USE

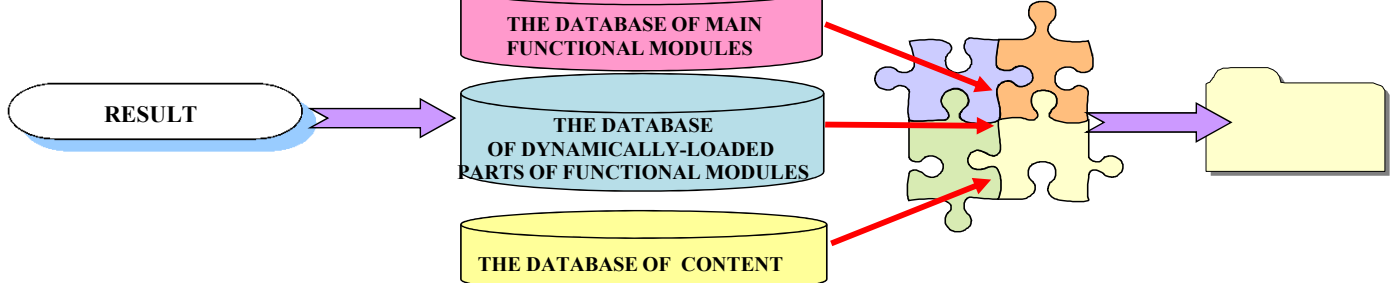
PRELIMINARY PROCEDURE



PROCEDURE OF CONTROLLING AND UPDATING



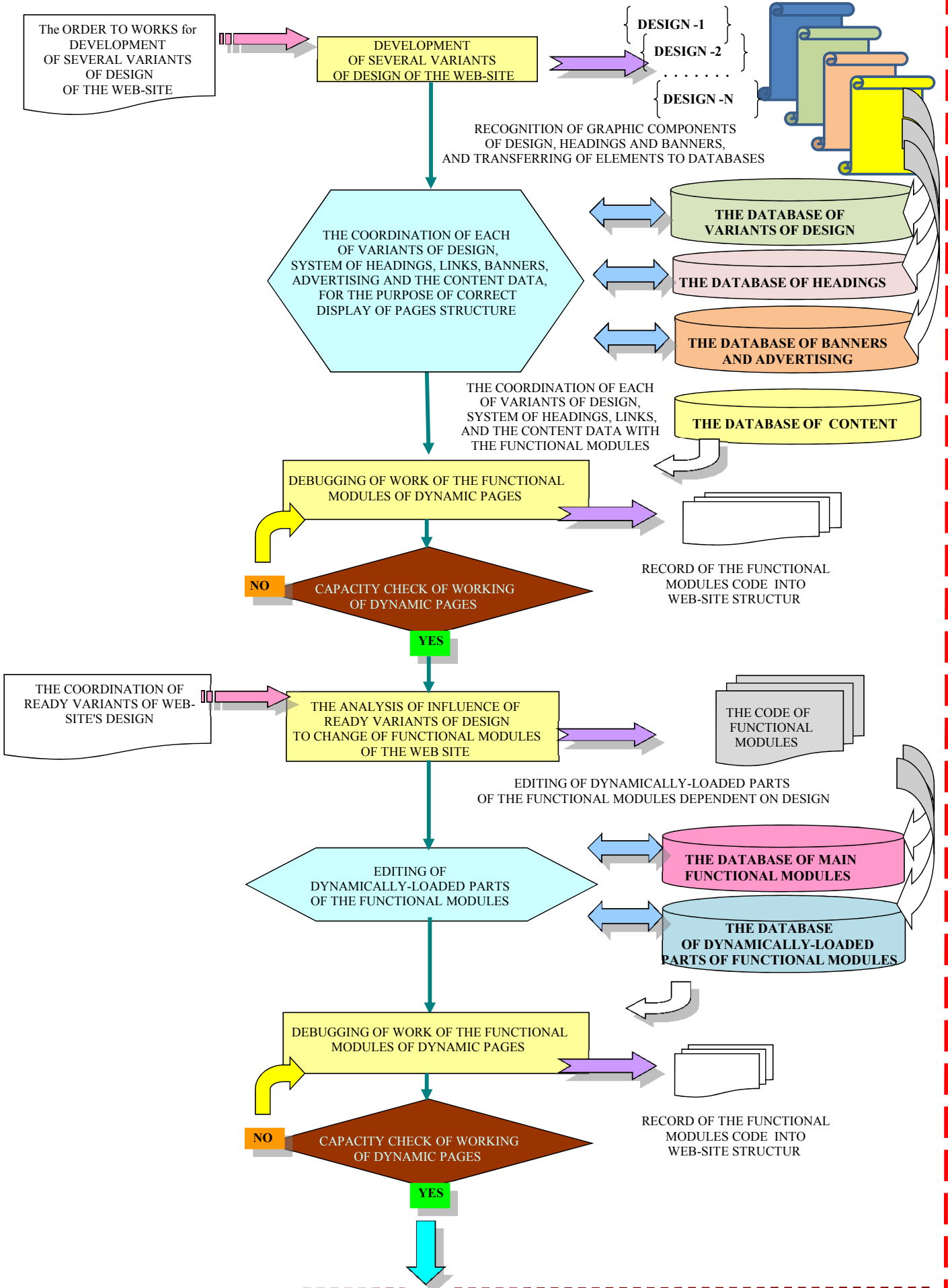
FINISHING PROCEDURE



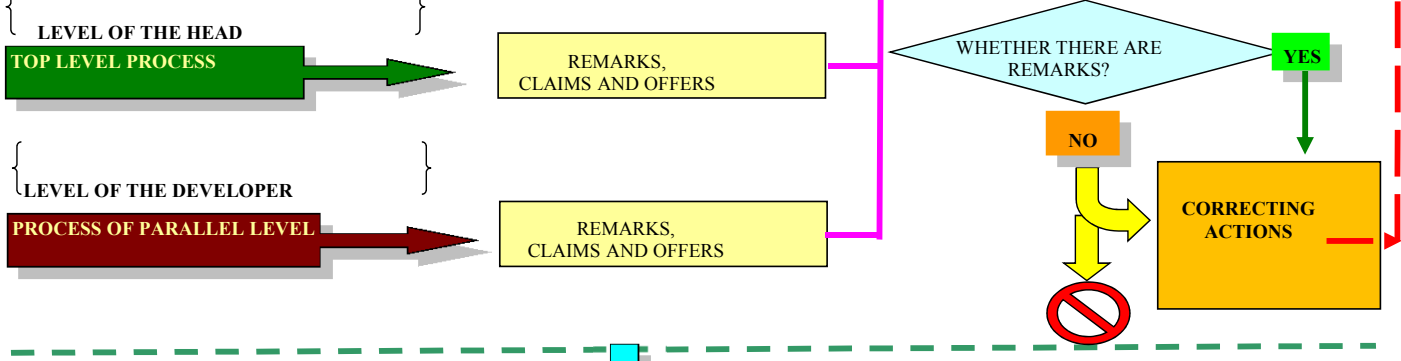
© Copyright -2012, Oleg Yu. Novikov. All Rights reserved.

2. PROCEDURE OF DEVELOPMENT OF SEVERAL VARIANTS OF THE WEB-SITE DESIGN FOR MMMD

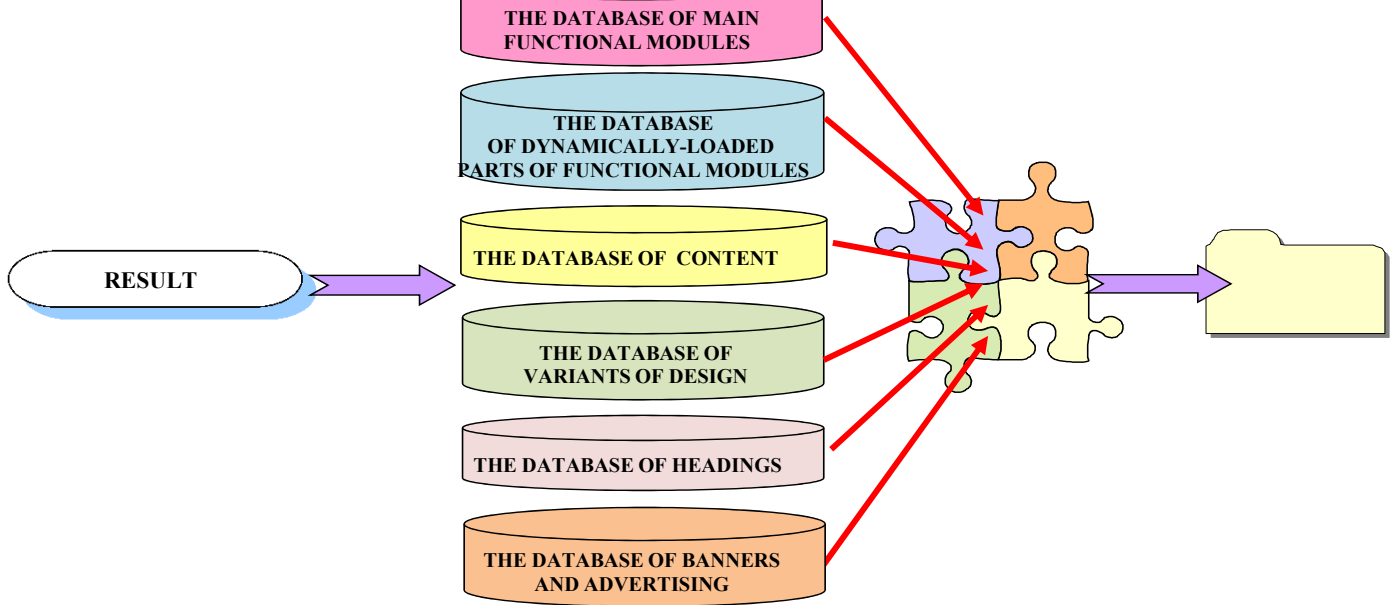
PRELIMINARY PROCEDURE



PROCEDURE OF CONTROLLING AND UPDATING



FINISHING PROCEDURE



© Copyright -2012, Oleg Yu. Novikov. All Rights reserved.



ALGORITHM OF THE WEB-SITE'S WORK ON THE BASE OF META-MORPH-MULTI-DESIGN TECHNOLOGY (MMMD)



ALGORITHM OF THE WEB-SITE'S WORK ON THE BASE OF META-MORPH-MULTI-DESIGN (MMMD)

